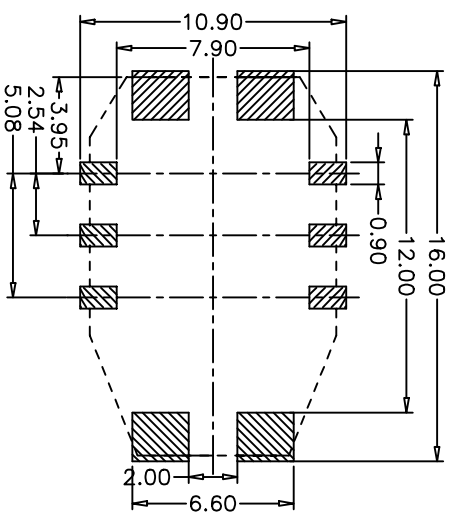
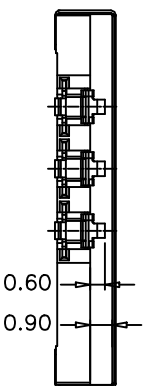
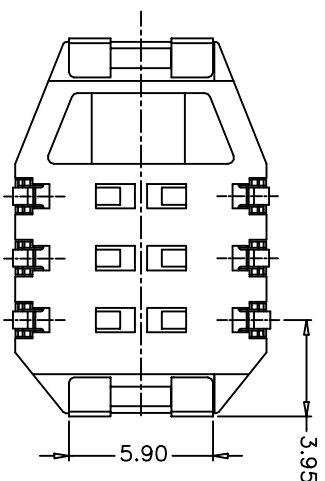
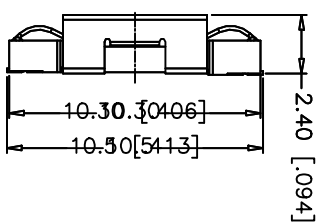
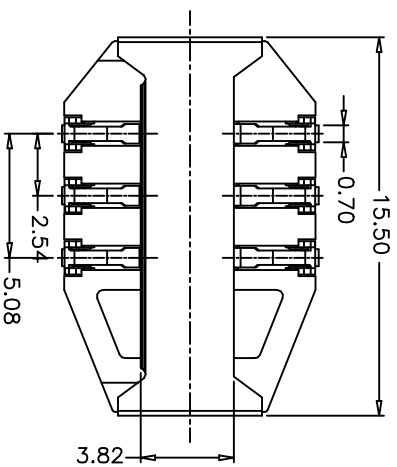


REV.	DATE	MODIFICATION	APPROVER
①	07. 6. 30	NEW	MIKE
②	10. 05. 07	接地片电镀规格变更	MIKE
③			



- MATERIALS**
1. HOUSING : HI.-TEMP.PLASTIC(UL 94V-0).BLACK
 2. TERMINAL : COPPER ALLOY.(t=0.15mm)
GOLD PLATED OVER NICKEL
 3. LOCK : STAINLESS STEEL,NICKEL PLATED
- SPECIFICATION**
1. CURRENT RATING : 1.0 A MAX.
 2. DIELECTRIC WITHSTANDING VOLTAGE :
500V AC R.M.S. FOR ONE MINUTE.
 3. INSULATION RESISTANCE : 1000MΩ MIN. AT 500V DC.
 4. CONTACT RESISTANCE : 30mΩ MAX.
 5. OPERATING TEMPERATURE : -40°C TO +85°C.

RECOMMEND P.C.B. LAYOUT
TOLERANCE ±0.05
TOP VIEW

GENERAL TOLERANCE			UNITS	NAME	Title: Shenzhen Deana Technology Co., Ltd		
SELECT	TOL		mm	PART NO:	DWG NO.	SCALE	SHEET
DR.	1	2	NDNE	010050030054	STM	1:1	1 OF 1
XXXX	±0.090	0.08	NDNE	APPD:	MIKE		
XXX	±0.10	0.13	NDNE	CHKD:	Vicky		
XX	±0.20	0.25	Q'TY	DR:	Quinn		
X	±	0.35	NDNE				
ANGLE	3°						

